



www.3technigeria.com

Output Ratings

Generating Set Model	Prime*	Standby*
	/	/
	/	/

Ratings at _____ power factor.

Prime Rating

These ratings are applicable for supplying continuous electrical power (at variable load) in lieu of commercially purchased power. There is no limitation to the annual hours of operation and this model can supply 10% overload power for 1 hour in 12 hours.

Standby Rating

These ratings are applicable for supplying continuous electrical power (at variable load) in the event of a utility power failure. No overload is permitted on these ratings. The alternator on this model is peak continuous rated (as defined in ISO 8528-3).

Standard Reference Conditions

Note: Standard reference conditions 25°C (77°F) Air Inlet Temp, 100m (328 ft) A.S.L. 30% relative humidity. Fuel consumption data at full load with diesel fuel with specific gravity of 0.85 and conforming to BS2869: 1998, Class A2.

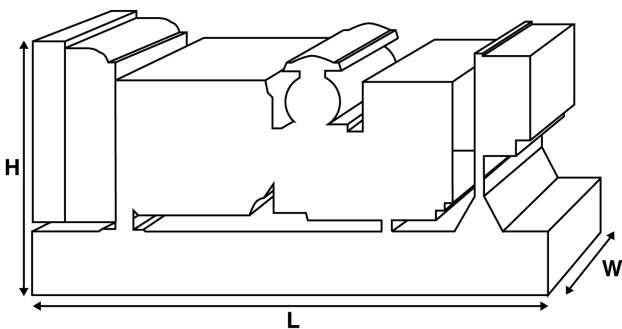


Image for illustration purposes only.

Ratings and Performance Data

Engine Make & Model:		
Alternator manufactured for FG Wilson by:	Leroy Somer	
Alternator Model:		
Control Panel:	PowerWizard 1.1	
Base Frame:		
Circuit Breaker Type:		
Frequency:	50 Hz	60 Hz
Engine Speed: RPM		
Fuel Tank Capacity: litres (US gal)		
Fuel Consumption: l/hr (US gal/hr)		
(100% Load)	- Prime	
	- Standby	

Available Options

- FG Wilson offer a range of optional features to tailor our generating sets to meet your power needs. Options include:
- | Upgrade to CE Certification
 - | A wide range of Sound Attenuated Enclosures
 - | A variety of generating set control and synchronising panels
 - | Additional alarms and shutdowns
 - | A selection of exhaust silencer noise levels

For further information on all of the standard and optional features accompanying this product please contact your local Dealer or visit: www.FGWilson.com

Dimensions and Weights

Length (L)	Width (W)	Height (H)	Dry	Wet
mm (in)	mm (in)	mm (in)	kg (lb)	kg (lb)

Dry = With Lube Oil Wet = With Lube Oil and Coolant

Ratings in accordance with ISO 8528, ISO 3046, IEC 60034, BS5000 and NEMA MG-1/22. Generating set pictured may include optional accessories.



3Tech Corporate Nigeria Limited
 Plot 11, Amuwo Odofin Industrial Estate, (along Apapa Oshodi Expressway) Lagos, Nigeria.
 Tel: 017615388 / 08166280145 Email:lagos@3tech.net
 11c Murtala Muhammed Way Kano, Nigeria.
 Tel:064460112 Email:kano@3tech.net

www.3technigeria.com



Engine Technical Data

No. of Cylinders / Alignment:

Cycle:

Bore / Stroke: mm (in)

Induction:

Cooling Method:

Governing Type:

Governing Class:

Compression Ratio:

Displacement: l (cu. in)

Moment of Inertia: kg m² (lb/in²)

Engine Electrical System:

- Voltage / Ground

- Battery Charger Amps

Weight: kg (lb) - Dry
- Wet

Performance

50 Hz

60 Hz

Engine Speed: rpm

Gross Engine Power: kW (hp)

- Prime

- Standby

BMEP: kPa (psi)

- Prime

- Standby

Fuel System

Fuel Filter Type:

Recommended Fuel:

Fuel Consumption: l/hr (US gal/hr)

	110%	100%	75%	50%
Prime	Load	Load	Load	Load

50 Hz

60 Hz

	110%	100%	75%	50%
Standby	Load	Load	Load	Load

50 Hz

60 Hz

(Based on diesel fuel with a specific gravity of 0.84 and conforming to BS2869, Class A2)

Air Systems

50 Hz

60 Hz

Air Filter Type:

Combustion Air Flow: m³/min (cfm)

- Prime

- Standby

Max. Combustion Air Intake

Restriction: kPa (in H₂O)

Cooling System

50 Hz

60 Hz

Cooling System Capacity: l (US gal)

Water Pump Type:

Heat Rejected to Water & Lube Oil:

kW (Btu/min)

- Prime

- Standby

Heat Radiation to Room: Heat radiated from engine and alternator

kW (Btu/min)

- Prime

- Standby

Radiator Fan Load: kW (hp)

Radiator Cooling Airflow: m³/min (cfm)

External Restriction to

Cooling Airflow: Pa (in H₂O)

Designed to operate in ambient conditions up to 50°C (122°F).

Contact your local FG Wilson Dealer for power ratings at specific site conditions.

Lubrication System

Oil Filter Type:

Total Oil Capacity: l (US gal)

Oil Pan: l (US gal)

Oil Type:

Oil Cooling Method:

Exhaust System

50 Hz

60 Hz

Silencer Type:

Silencer Model & Quantity:

Pressure Drop Across Silencer

System: kPa (in Hg)

Silencer Noise Reduction Level: dB

Maximum Allowable Back Pressure:

kPa (in Hg)

Exhaust Gas Flow: m³/min (cfm)

- Prime

- Standby

Exhaust Gas Temperature: °C (°F)

- Prime

- Standby

Documentation

A full set of operation and maintenance manuals and circuit wiring diagrams.

Generating Set Standards

The equipment meets the following standards: BS5000, ISO 8528, ISO 3046, IEC 60034, NEMA MG-1.22.

FG Wilson is a fully accredited ISO 9001 company.

EU Stage II Emissions Compliant.

Warranty

All prime equipment carries a one year manufacturer's warranty. Standby equipment, limited to 500 running hours per year, has a two year manufacturer's warranty. For details on warranty cover please contact your local Dealer, or visit our website: FGWilson.com.

Dealer contact details:



3Tech Corporate Nigeria Limited

Plot 11, Amuwo Odofin Industrial Estate, (along Apapa Oshodi Expressway) Lagos, Nigeria.

Tel: 017615388 / 08166280145 Email:lagos@3tech.net

11c Murtala Muhammed Way Kano, Nigeria.

Tel:064460112 Email:kano@3tech.net

www.3technigeria.com

